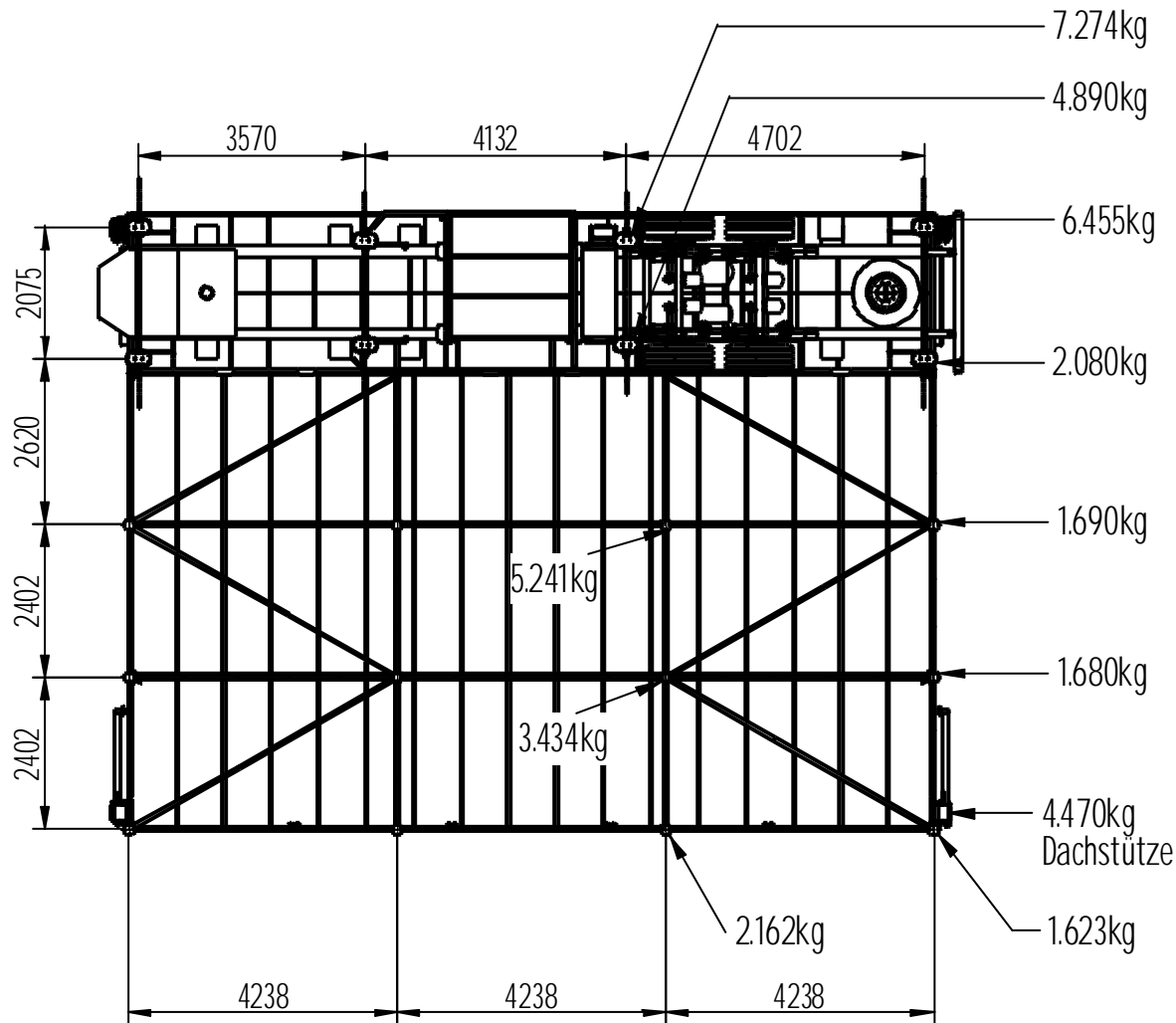


propstand loading



Complete loading:
chassis: 25000 kg
floor frame: 3000kg
rear tower: 4500 kg